

Product data sheet

Specifications



power meter PowerLogic PM5330,
modbus, up to 31st Harmonic,
256KB 2DI/2DO 35 alarms

METSEPM5330

Product availability: Stock - Normally stocked in distribution facility

Main

Range	PowerLogic
Product name	PowerLogic PM5000
Device short name	PM5330
Product or Component Type	Power meter

Complementary

Power quality analysis	up to the 31st harmonic
Device Application	Power monitoring Multi-tariff
Type of measurement	Current Voltage Frequency Power factor Energy Active and reactive power
supply voltage	90...450 V AC 45...65 Hz 100...300 V DC
Network Frequency	50 Hz 60 Hz
Line Rated Current	1 A 5 A
type of network	3P + N 3P 1P + N
Maximum power consumption in VA	11 VA 415 V
Ride-through time	80 ms 120 V AC typical 100 ms 230 V AC typical 100 ms 415 V AC typical 50 ms 125 V DC typical
Display Type	Monochrome graphic LCD
Display Resolution	128 x 128 pixels
Sampling rate	64 samples/cycle
Measurement current	5...8500 mA
Analogue input type	Voltage (impedance 5 MΩm) Current (impedance ≤ 0.3 mΩm)
Measurement voltage	35...760 V AC 45...65 Hz between phases 20...400 V AC 45...65 Hz between phase and neutral
Frequency measurement range	45...65 Hz
Number of inputs	2 digital

Price is "List Price" and may be subject to a trade discount – check with your local distributor or retailer for actual price.

Measurement accuracy	Active energy +/- 0.5 % Reactive energy +/- 2 % Active power +/- 0.5 % Apparent power +/- 0.5 % Frequency +/- 0.05 % Power factor +/- 0.5 Current +/- 0.5 % Voltage +/- 0.5 % Apparent energy +/- 0.5 % Reactive power +/- 2 %
Accuracy class	Class 0.5S active energy IEC 62053-22
Number of Outputs	2 relay 2 digital
Information displayed	Tariff 4)
Communication port protocol	Modbus RTU and ASCII 9.6, 19.2 and 38.4 kbauds even/odd or none - 2 wires 2500 V JBUS
Communication port support	RS485
Data recording	Maintenance logs Time stamping Alarm logs Data logs Min/max of instantaneous values Event logs
Memory capacity	256 kB
Connections - terminals	Voltage circuit screw terminal block4 Control circuit screw terminal block2 Current transformer screw terminal block6 Input/output circuit screw terminal block6 Relay output screw terminal block4 Ethernet network RJ45 connector
Mounting Mode	Flush-mounted
Mounting support	Framework
Standards	UL 61010-1 IEC 62053-22:2020 IEC 61557-12:2015 EN 50470-3 IEC 60529 IEC 62053-24 EN 50470-1 IEC 62053-23:2020 IEC 62052-11:2020 IEC 62052-31:2015
Product certifications	CE conforming to IEC 61010-1 CULus conforming to UL 61010-1
Width	3.8 in (96 mm)
Depth	2.8 in (72 mm)
Height	3.8 in (96 mm)
Product Weight	15.2 oz (430 g)

Environment

Electromagnetic compatibility	<p>Conducted and radiated emissions class B conforming to EN 55022</p> <p>Immunity to conducted disturbances - test level: 150 kHz...80 MHz level 4 conforming to IEC 61000-4-6</p> <p>Electrical fast transient/burst immunity test level 3 conforming to IEC 61000-4-4</p> <p>Radiated radio-frequency electromagnetic field immunity test level 4 conforming to IEC 61000-4-3</p> <p>Voltage dips and interruptions immunity test class B conforming to IEC 61000-4-11</p> <p>Limits for harmonic current emissions class A conforming to IEC 61000-3-2</p> <p>Electrostatic discharge level 4 conforming to IEC 61000-4-2</p> <p>Conducted RF disturbances level 3 conforming to IEC 61000-4-6</p> <p>Magnetic field at power frequency level 4 conforming to IEC 61000-4-8</p> <p>Immunity to conducted disturbances - test level: 150 kHz...80 MHz conforming to IEC 61000-4-6</p> <p>Electrical fast transient/burst immunity test conforming to IEC 61000-4-4</p> <p>Radiated radio-frequency electromagnetic field immunity test conforming to IEC 61000-4-3</p> <p>Voltage dips and interruptions immunity test conforming to IEC 61000-4-11</p> <p>Limitation of voltage changes, voltage fluctuations and flicker in low-voltage conforming to IEC 61000-3-3</p> <p>Electrostatic discharge - test level: 8 kV level 4 conforming to IEC 61000-4-2</p>
IP degree of protection	<p>IP54 display: conforming to IEC 60529</p> <p>IP30 rear: conforming to IEC 60529</p>
Relative humidity	5...95 % 122 °F (50 °C) non-condensing
Pollution degree	2
Ambient air temperature for operation	-13...158 °F (-25...70 °C) meter
Ambient Air Temperature for Storage	-40...185 °F (-40...85 °C)
Operating altitude	<p>6561.68 ft (2000 m) CAT III</p> <p>9842.52 ft (3000 m) CAT II</p>

Ordering and shipping details

Category	US10PL109777
Discount Schedule	0PL1
GTIN	3606480614026
Returnability	Yes
Country of origin	IN

Packing Units

Unit Type of Package 1	PCE
Nbr. of units in pkg.	1
Package 1 Height	5.118 in (13.000 cm)
Package 1 Width	4.528 in (11.500 cm)
Package 1 Length	5.000 in (12.700 cm)
Package weight(Lbs)	17.743 oz (503.000 g)
Unit Type of Package 2	S03
Number of Units in Package 2	12
Package 2 Height	11.811 in (30.000 cm)
Package 2 Width	11.811 in (30.000 cm)
Package 2 Length	15.748 in (40.000 cm)
Package 2 Weight	14.698 lb(US) (6.667 kg)
Unit Type of Package 3	P06
Number of Units in Package 3	96

Package 3 Height	29.528 in (75.000 cm)
Package 3 Width	23.622 in (60.000 cm)
Package 3 Length	31.496 in (80.000 cm)
Package 3 Weight	139.632 lb(US) (63.336 kg)

Contractual warranty

Warranty (in months)	18
-----------------------------	----



Environmental Data

Schneider Electric aims to achieve Net Zero status by 2050 through supply chain partnerships, lower impact materials, and circularity via our ongoing “Use Better, Use Longer, Use Again” campaign to extend product lifetimes and recyclability.

[Environmental Data explained >](#)

[How we assess product sustainability >](#)



Environmental footprint

Total lifecycle Carbon footprint	328 kg CO2 eq.
Carbon footprint of the manufacturing phase [A1 to A3]	14 kg CO2 eq.
Carbon footprint of the distribution phase [A4]	0.1 kg CO2 eq.
Carbon footprint of the installation phase [A5]	0 kg CO2 eq.
Carbon footprint of the use phase [B2, B3, B4, B6]	313 kg CO2 eq.
Carbon footprint of the end-of-life phase [C1 to C4]	1 kg CO2 eq.
Environmental Disclosure	Product Environmental Profile

Use Better



Materials and Substances

Packaging made with recycled cardboard	Yes
Packaging without single use plastic	No
SCIP Number	09f9c02c-a5ad-476f-b13d-697d47d8137c
EU RoHS Directive	Compliant By Exemption
REACH Regulation	Reference contains Substances of Very High Concern above the threshold
California proposition 65	WARNING: Cancer and Reproductive Harm - www.P65Warnings.ca.gov

Use Longer



Lifetime extension

Repair	No
--------	----

Use Again



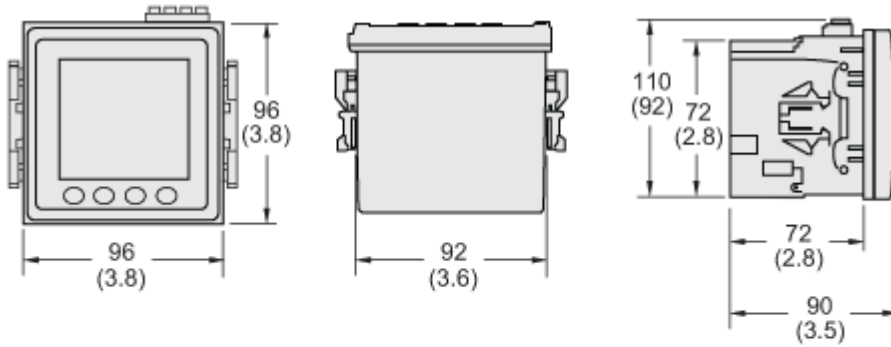
Repack and remanufacture

Recyclability potential, in %	4
Circularity Profile	End of Life Information
Take-back	Nej
WEEE Label	 The product must be disposed on European Union markets following specific waste collection and never end up in rubbish bins.

Dimensions Drawings

Approximate Dimensions

PM5000 Series Meters



PM5000 Series Remote Display

